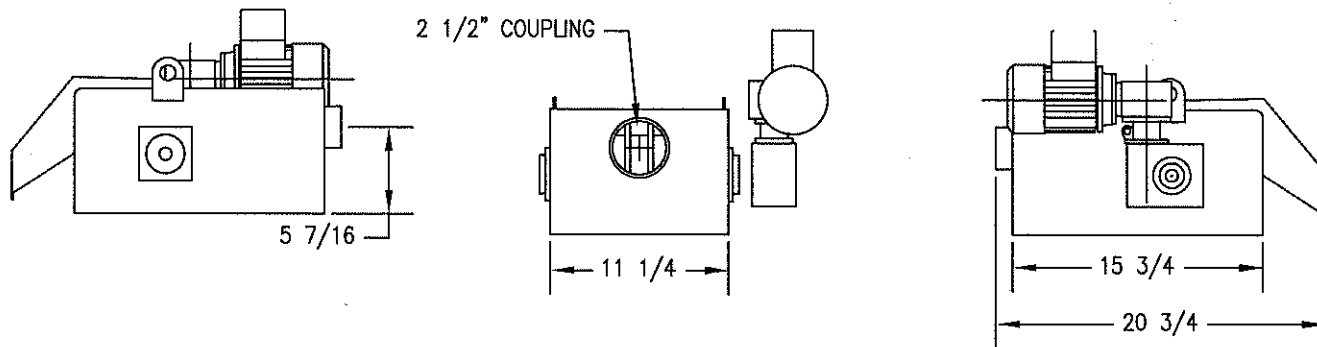
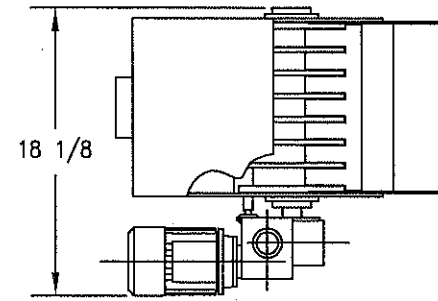



RATED: 65 GPM WATER

32 GPM 40 SSU OIL

REPLACES MSE5.5-9, MSE5.5-12



	POLYTECH FILTRATION SYSTEMS, INC.	100 FOREST AVENUE HUDSON, MA 01749-2826 TEL: 978-562-7700 FAX: 978-562-7787	MSE 7 MAGNETIC SEPARATOR	
	 POLYCLON (TM) WHIRLSTREAM MAGNACLONE		DRAWN BY	SCALE NONE
SERIAL NO.			DATE	REV. -

Magnetic Separator Specifications

Model	Flow Rate (GPM)	
	Water	40 SSU Oil
MSE3	13	6
MSE5	26	13
MSE7	65	32
MSE10	79	40
MSE15	106	53
MSE20	132	56

Higher flow rate available upon request