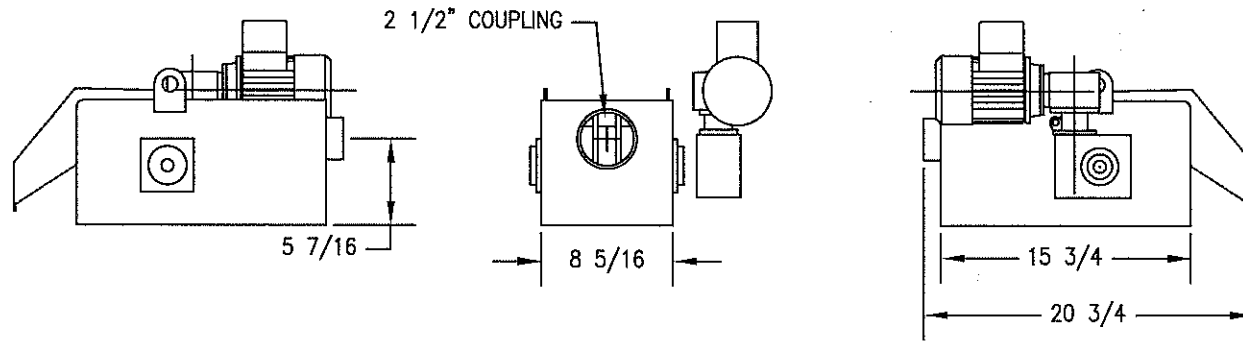
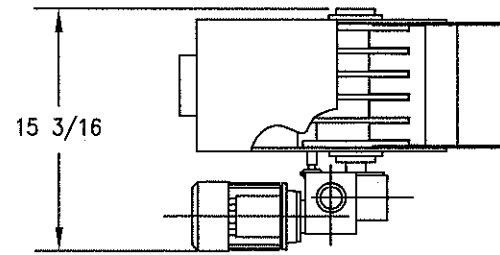



RATED: 26 GPM WATER
 13 GPM 40 SSU OIL
 REPLACES MSE5.5-6



	POLYTECH FILTRATION SYSTEMS, INC.  POLYCLON (TM) WHIRLSTREAM MAGNACLONE	100 FOREST AVENUE HUDSON, MA 01749-2826 TEL: 978-562-7700 FAX: 978-562-7787	MSE5 MAGNETIC SEPARATOR	
SERIAL NO.			DRAWN BY DATE	SCALE NONE REV. -

Magnetic Separator Specifications

Model	Flow Rate (GPM)	
	Water	40 SSU Oil
MSE3	13	6
MSE5	26	13
MSE7	65	32
MSE10	79	40
MSE15	106	53
MSE20	132	56

Higher flow rate available upon request