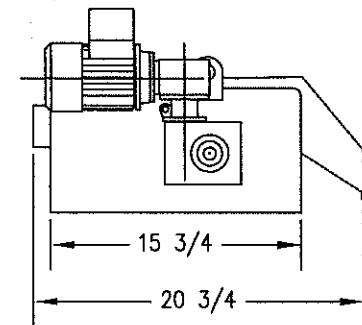
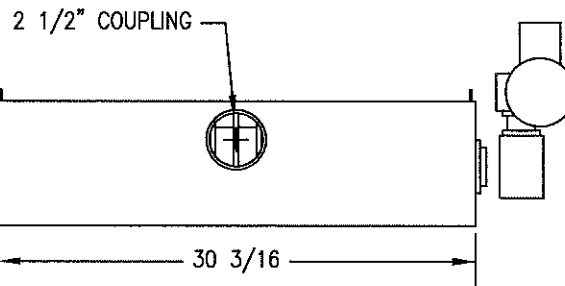
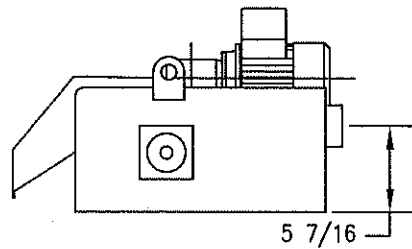
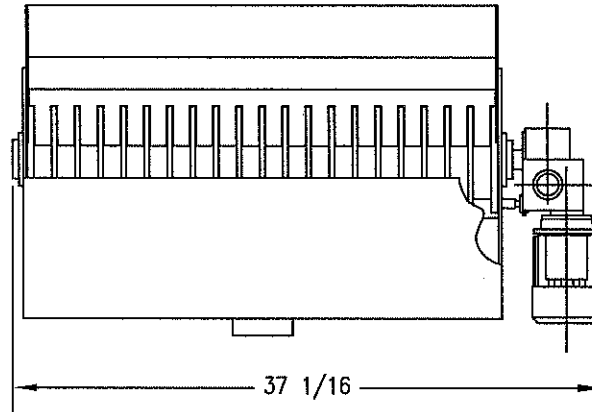



RATED: 132 GPM WATER

56 GPM 40 SSU OIL

REPLACES MSE5.5-30



| | | | | | |
|------------|---|--|--|---------------|---------------------------|
| | POLYTECH FILTRATION SYSTEMS, INC. | 100 FOREST AVENUE HUDSON, MA 01749-2826 TEL: 978-562-7700 FAX: 978-562-7787 | MSE 20 MAGNETIC SEPARATOR | | |
| |  POLYCLON (TM) WHIRLSTREAM MAGNACLONE | | DRAWN BY | SCALE NONE | SHEET 1 OF 1 |
| SERIAL NO. | | | DATE | REV. - | DWG. NO. MSE 20 |

Magnetic Separator Specifications

| Model | Flow Rate (GPM) | |
|-------|-----------------|------------|
| | Water | 40 SSU Oil |
| MSE3 | 13 | 6 |
| MSE5 | 26 | 13 |
| MSE7 | 65 | 32 |
| MSE10 | 79 | 40 |
| MSE15 | 106 | 53 |
| MSE20 | 132 | 56 |

Higher flow rate available upon request