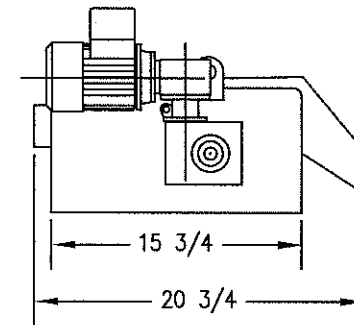
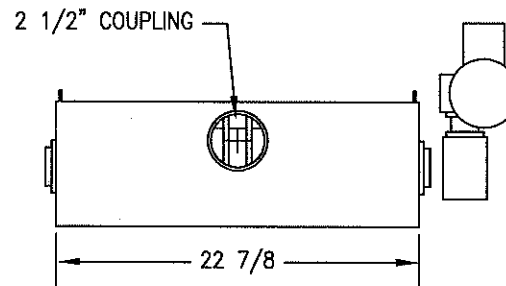
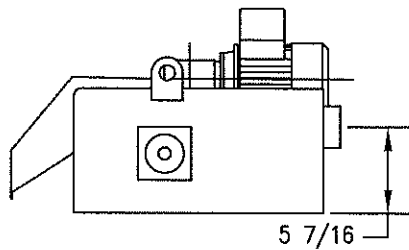
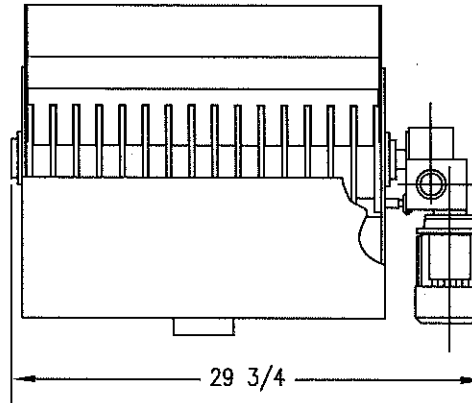



RATED: 106 GPM WATER
 52 GPM 40 SSU OIL
 REPLACES MSE5.5-24



	POLYTECH FILTRATION SYSTEMS, INC.  POLYCLON (TM) WHIRLSTREAM MAGNACLONE	100 FOREST AVENUE HUDSON, MA 01749-2826 TEL: 978-562-7700 FAX: 978-562-7787	MSE 15 MAGNETIC SEPARATOR		
SERIAL NO.			DRAWN BY	SCALE NONE	SHEET 1 OF 1
			DATE	REV. -	DWG. NO. MSE 15

Magnetic Separator Specifications

Model	Flow Rate (GPM)	
	Water	40 SSU Oil
MSE3	13	6
MSE5	26	13
MSE7	65	32
MSE10	79	40
MSE15	106	53
MSE20	132	56

Higher flow rate available upon request