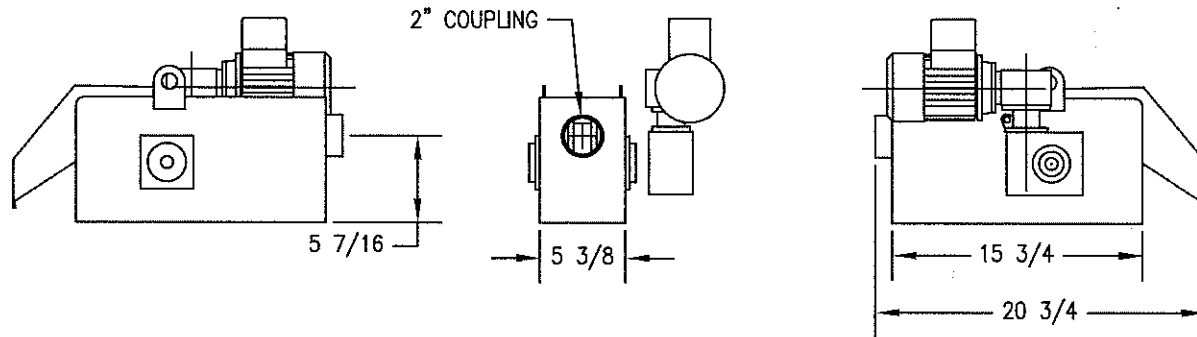
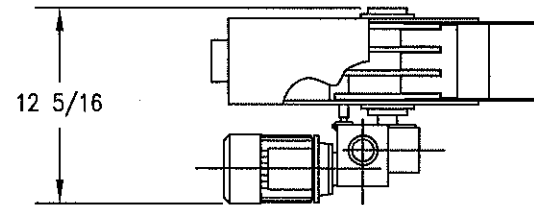



RATED: 13 GPM WATER
 6 GPM 40 SSU OIL
 REPLACES MSE5.5-3

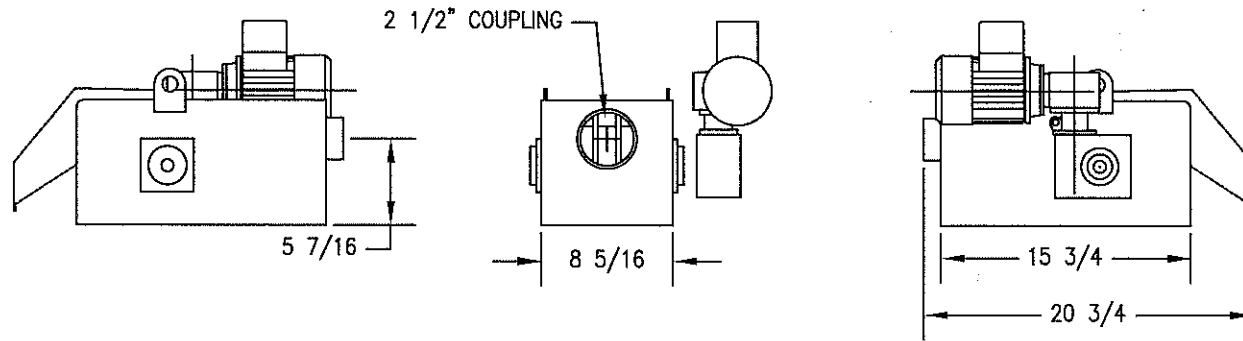
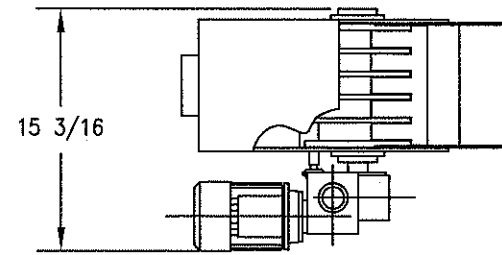



SERIAL NO.	 POLYTECH FILTRATION SYSTEMS, INC. POLYCLON (TM) WHIRLSTREAM MAGNACLONE	100 FOREST AVENUE HUDSON, MA 01749-2826 TEL: 978-562-7700 FAX: 978-562-7787	MSE3		SHEET 1 OF 1
			MAGNETIC SEPARATOR		
			DRAWN BY	SCALE NONE	MSE3
			DATE	REV. -	

RATED: 26 GPM WATER

13 GPM 40 SSU OIL

REPLACES MSE5.5-6

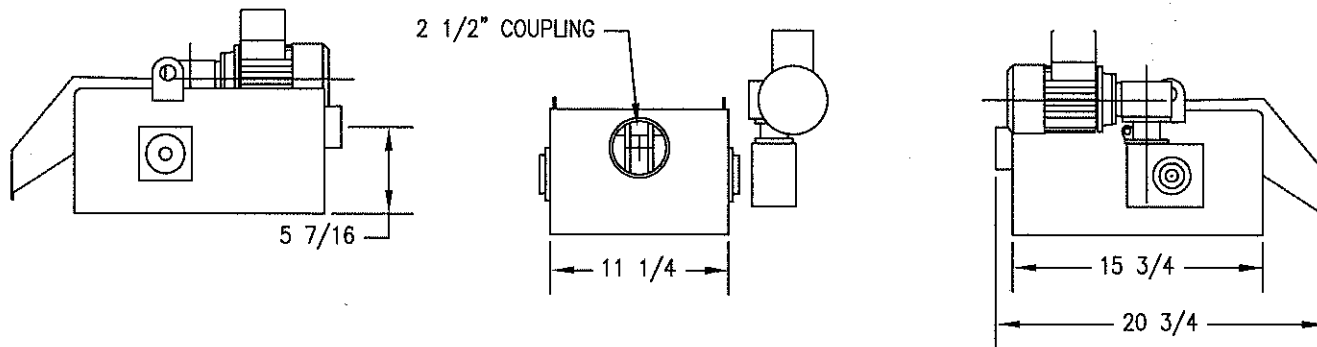
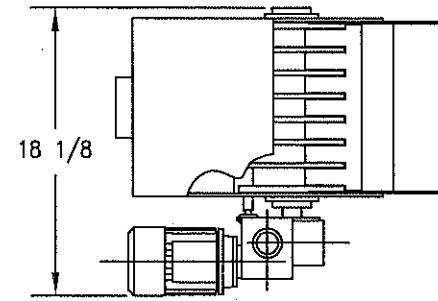



	POLYTECH FILTRATION SYSTEMS, INC.	100 FOREST AVENUE HUDSON, MA 01749-2826 TEL: 978-562-7700 FAX: 978-562-7787	MSE5 MAGNETIC SEPARATOR		
	 POLYCLON (TM) WHIRLSTREAM MAGNACLONE		DRAWN BY	SCALE NONE	SHEET 1 OF 1
SERIAL NO.			DATE	REV. -	DWG. NO. MSE5

RATED: 65 GPM WATER

32 GPM 40 SSU OIL

REPLACES MSE5.5-9, MSE5.5-12

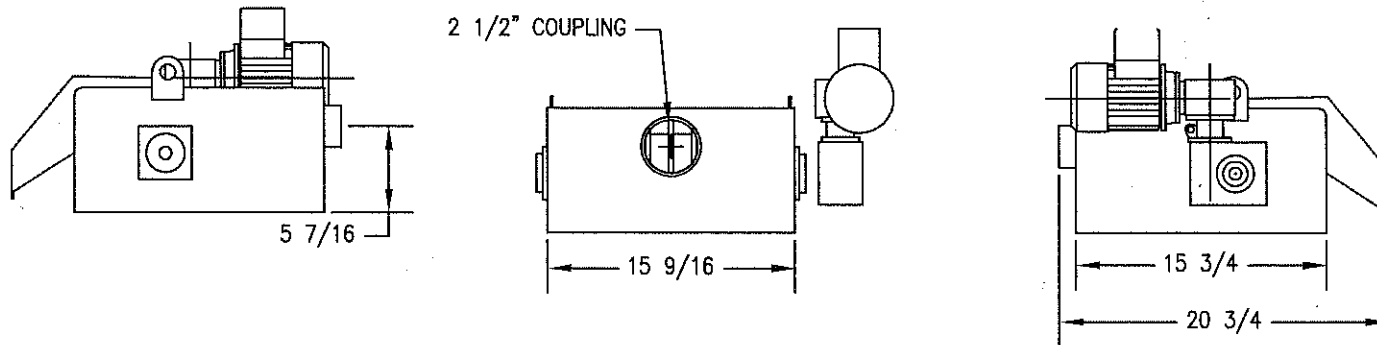
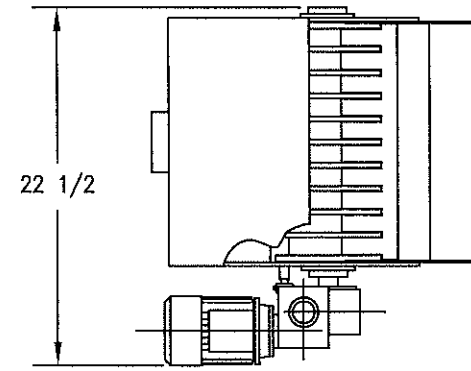



	POLYTECH FILTRATION SYSTEMS, INC.	100 FOREST AVENUE HUDSON, MA 01749-2826 TEL: 978-562-7700 FAX: 978-562-7787	MSE 7 MAGNETIC SEPARATOR	
	 POLYCLON (TM) WHIRLSTREAM MAGNACLONE		DRAWN BY	SCALE NONE
SERIAL NO.			DATE	REV. -

RATED: 79 GPM WATER

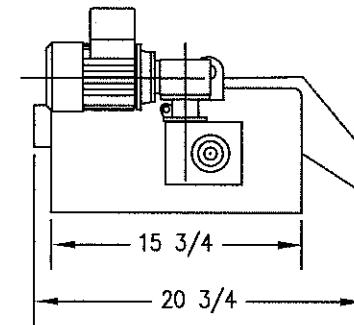
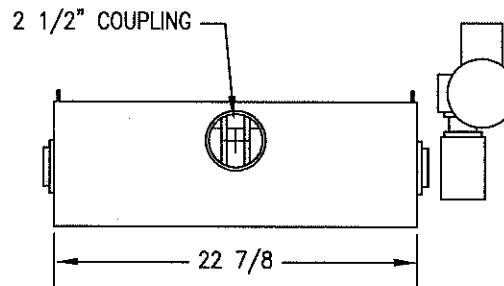
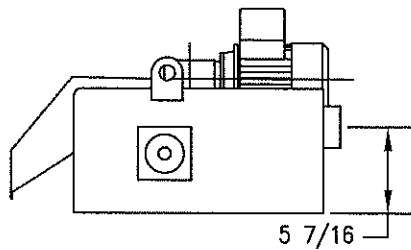
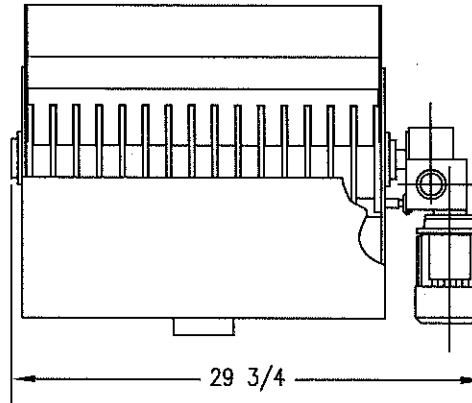
40 GPM 40 SSU OIL


REPLACES MSE5.5-18



	POLYTECH FILTRATION SYSTEMS, INC.	100 FOREST AVENUE HUDSON, MA 01749-2826 TEL: 978-562-7700 FAX: 978-562-7787	MSE 10 MAGNETIC SEPARATOR	
	 POLYCLON (TM) WHIRLSTREAM MAGNACLONE		DRAWN BY	SCALE NONE
SERIAL NO.			DATE	REV. -

RATED: 106 GPM WATER
 52 GPM 40 SSU OIL
 REPLACES MSE5.5-24

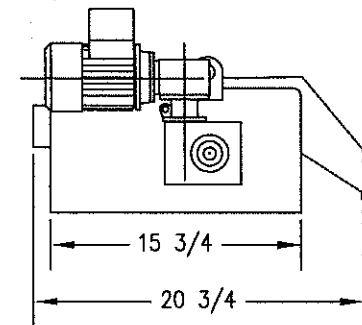
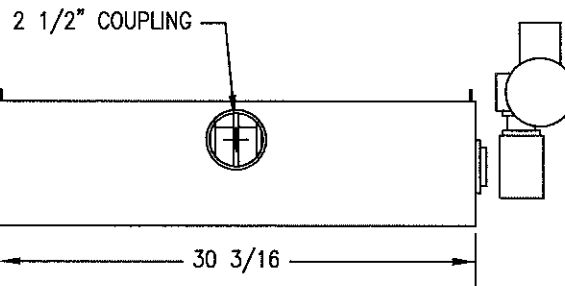
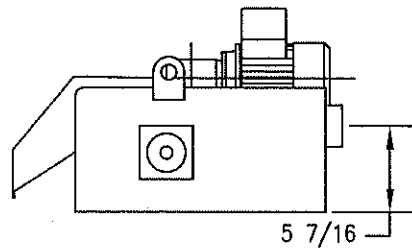
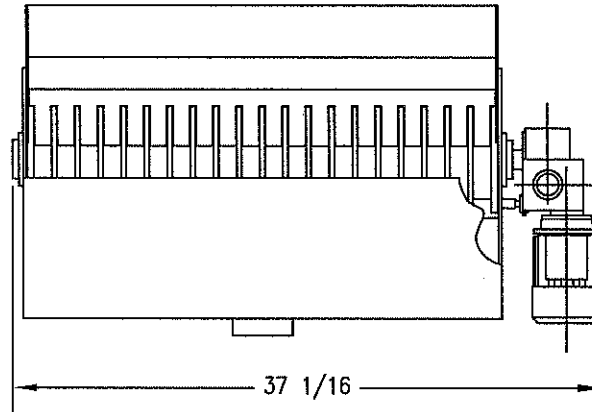


		POLYTECH FILTRATION SYSTEMS, INC.		100 FOREST AVENUE HUDSON, MA 01749-2826 TEL: 978-562-7700 FAX: 978-562-7787		MSE 15 MAGNETIC SEPARATOR	
		 POLYCLON (TM) WHIRLSTREAM MAGNACLONE				DRAWN BY	SCALE NONE
SERIAL NO.						DATE	REV. -

RATED: 132 GPM WATER

56 GPM 40 SSU OIL

REPLACES MSE5.5-30



	POLYTECH FILTRATION SYSTEMS, INC.	100 FOREST AVENUE HUDSON, MA 01749-2826 TEL: 978-562-7700 FAX: 978-562-7787	MSE 20 MAGNETIC SEPARATOR		
	 POLYCLON (TM) WHIRLSTREAM MAGNACLONE		DRAWN BY	SCALE NONE	SHEET 1 OF 1
SERIAL NO.			DATE	REV. -	DWG. NO. MSE 20

Magnetic Separator Specifications

Model	Flow Rate (GPM)	
	Water	40 SSU Oil
MSE3	13	6
MSE5	26	13
MSE7	65	32
MSE10	79	40
MSE15	106	53
MSE20	132	56

Higher flow rate available upon request